

Care furniture

# Agily® 400 x 400 trolleys

The Agily® dressing trolleys are adaptable and can be equipped for different uses. PRATICIMA will help you to adapt your equipment according to your needs.

Thanks to their innovative design and their ultra-light components, these carts are very good tools for hospital works.

Photos are not contractual



## Advantages

- ▶ Ergonomic, handy and light aluminium structure
- ▶ Adaptable according to your needs: shelves and 400 x 400 containers...
- ▶ 400 x 400 compact dressing cart
- ▶ Resistant to the disinfecting products of hospital environments
- ▶ Custom height on request



Hygienic



Ergonomic

## Care furniture

# Agily® 400 x 400 trolleys

### Trolleys

- ▶ Dimensions: W. 567 x D. 540 x H. 980 mm
- ▶ Capacity: 8 drawers 75 mm high
- ▶ Anodised anti-corrosive aluminium structure
- ▶ 2 types of shelves: thermoplastic or compact (phenolic resin)
- ▶ 4 swivelling Ø 125 mm wheels, 2 with brake
- ▶ Non-marking rubber and buffers
- ▶ Available colours:

Pop blue

Apple green

Orange

Fuchsia

Pearl grey

BP

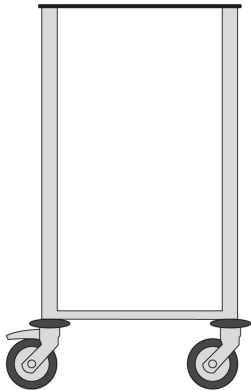
VP

OR

FU

GR

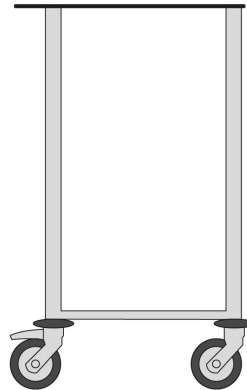
### Trolleys with compact shelf



#### Configuration n°05

400 x 400 trolleys equipped with a one top compact shelf  
Dimensions : L. 558 x D. 540 x H. 987 mm

> Ref. AGIL4\_05



#### Configuration n°6

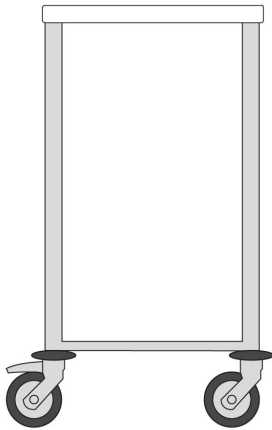
400 x 400 trolleys equipped with a one top compact shelf with handle  
Dimensions : L. 631 x D. 540 x H. 987 mm

> Ref. AGIL4\_06

# Agily® 400 x 400 trolleys

## Trolleys with thermoplastic shelf

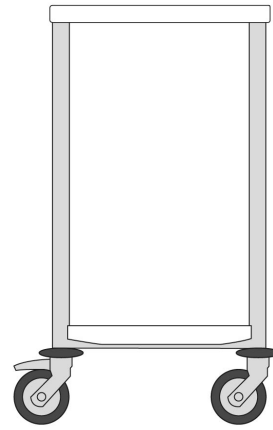
Dimensions : L. 567 x D. 540 x H. 980 mm



### Configuration n°03

400 x 400 trolleys equipped with a one top thermoplastic shelf

> Ref. AGIL4\_03

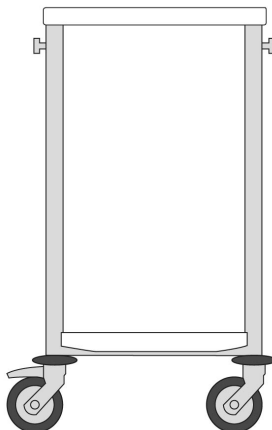


### Configuration n°01

400 x 400 trolleys equipped with:

- ▶ 1 top thermoplastic shelf
- ▶ 1 lower thermoplastic shelf

> Ref. AGIL4\_01

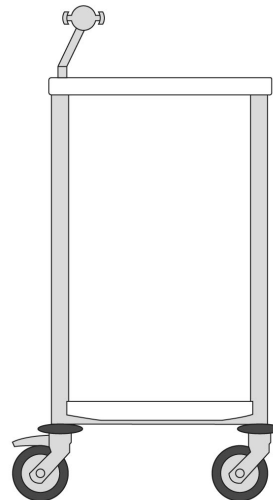


### Configuration n°04

400 x 400 trolleys equipped with:

- ▶ 1 top thermoplastic shelf
- ▶ 1 lower thermoplastic shelf
- ▶ 2 standard rails (top right and bottom right)

> Ref. AGIL4\_04



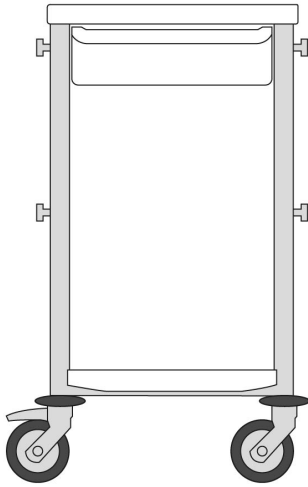
### Configuration n°14

400 x 400 trolleys equipped with::

- ▶ 1 top thermoplastic shelf
- ▶ 1 lower thermoplastic shelf
- ▶ 1 tablet holder

> Ref. AGIL4\_14

# Agily® 400 x 400 trolleys

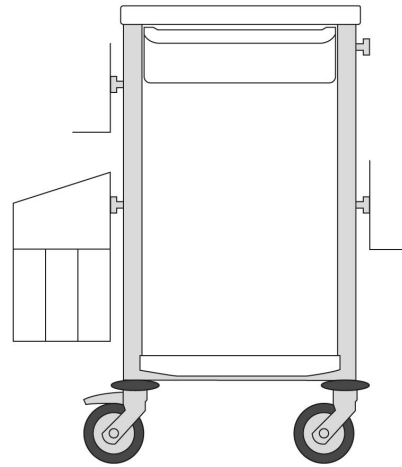


## Configuration n°22

400 x 400 trolleys equipped with:

- ▶ 1 top thermoplastic shelf
- ▶ 1 lower thermoplastic shelf
- ▶ 1 drawer H. 115 mm with runners
- ▶ 4 standard rails

> Ref. AGIL4\_22

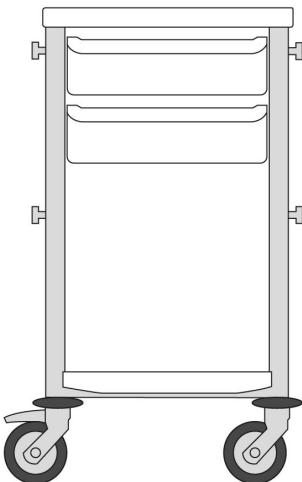


## Configuration n°25

400 x 400 trolleys equipped with:

- ▶ 1 top thermoplastic shelf
- ▶ 1 lower thermoplastic shelf
- ▶ 1 drawer H. 75 mm with runners
- ▶ 4 standard rails
- ▶ 1 standard support for glove box
- ▶ 1 standard support for sharp container
- ▶ 1 double bag holder

> Ref. AGIL4\_25

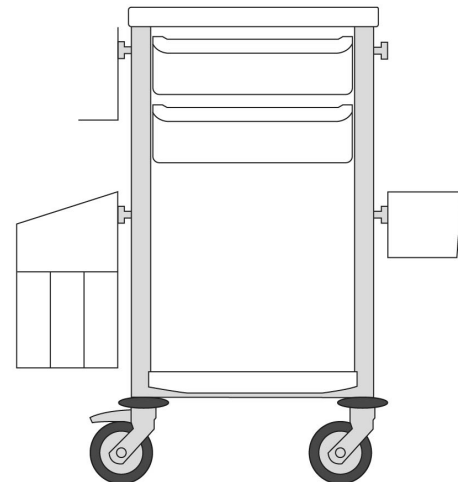


## Configuration n°28

400 x 400 trolleys equipped with:

- ▶ 1 top thermoplastic shelf
- ▶ 1 lower thermoplastic shelf
- ▶ 2 drawer H. 115 mm with runners
- ▶ 4 standard rails

> Ref. AGIL4\_28



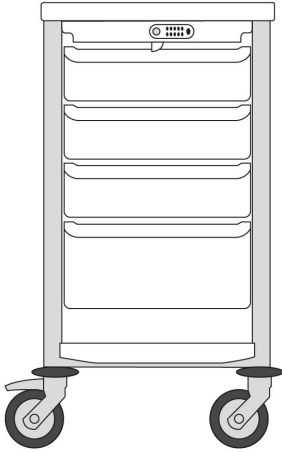
## Configuration n°31

400 x 400 trolleys equipped with:

- ▶ 1 top thermoplastic shelf
- ▶ 1 lower thermoplastic shelf
- ▶ 1 drawer H. 115 mm with runners
- ▶ 4 standard rails
- ▶ 1 plastic tray
- ▶ 1 standard support for sharp container
- ▶ 1 double bag holder

> Ref. AGIL4\_31

# Agily® 400 x 400 trolleys

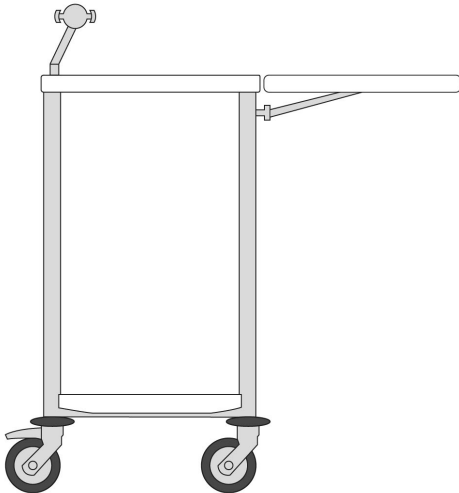


## Configuration n°33

400 x 400 trolleys equipped with:

- ▶ 1 top thermoplastic shelf
- ▶ 1 lower thermoplastic shelf
- ▶ 1 secure code for bin H. 115 mm
- ▶ 3 drawer H. 115 mm with runners
- ▶ 1 drawer H. 195 mm with runners

> Ref. AGIL4\_33

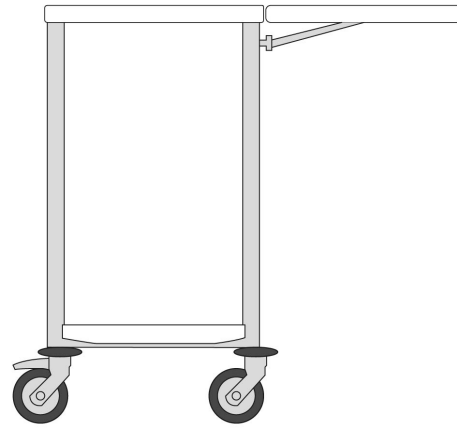


## Configuration n°17

400 x 400 trolleys equipped with:

- ▶ 1 top thermoplastic shelf
- ▶ 1 lower thermoplastic shelf
- ▶ 1 support pour tablette tactile numérique
- ▶ 1 standard rail (top right)
- ▶ 1 foldable extension shelf

> Ref. AGIL4\_17

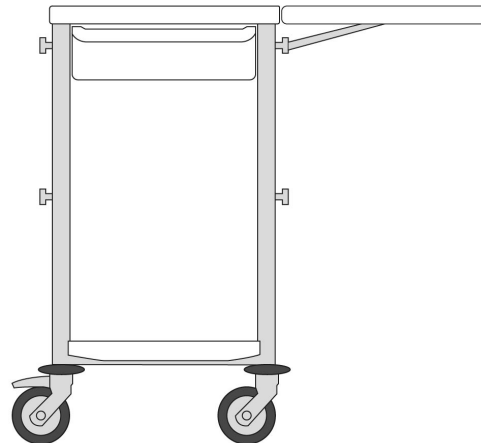


## Configuration n°07

400 x 400 trolleys equipped with:

- ▶ 1 top thermoplastic shelf
- ▶ 1 lower thermoplastic shelf
- ▶ 1 standard rail (top right)
- ▶ 1 foldable extension shelf

> Ref. AGIL4\_07



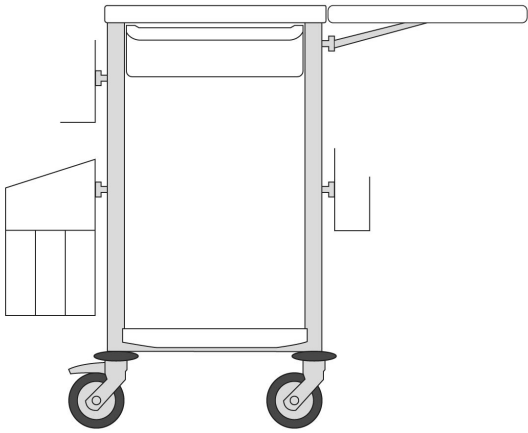
## Configuration n°23

400 x 400 trolleys equipped with:

- ▶ 1 top thermoplastic shelf
- ▶ 1 lower thermoplastic shelf
- ▶ 1 drawer H. 115 mm with runners
- ▶ 4 standard rails
- ▶ 1 foldable extension shelf

> Ref. AGIL4\_23

# Agily® 400 x 400 trolleys

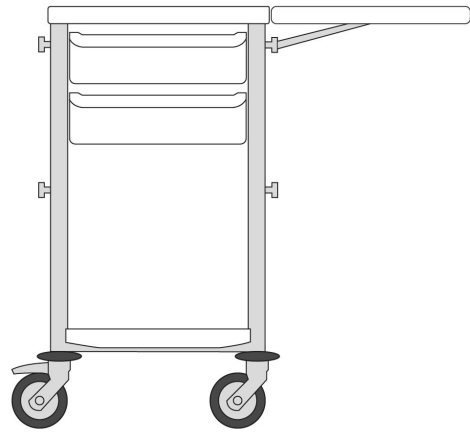


## Configuration n°26

400 x 400 trolleys equipped with:

- ▶ 1 top thermoplastic shelf
- ▶ 1 lower thermoplastic shelf
- ▶ 1 drawer H. 115 mm with runners
- ▶ 4 standard rails
- ▶ 1 foldable extension shelf
- ▶ 1 standard support for glove box
- ▶ 1 standard support for sharp container
- ▶ 1 double bag holder

> Ref. AGIL4\_26

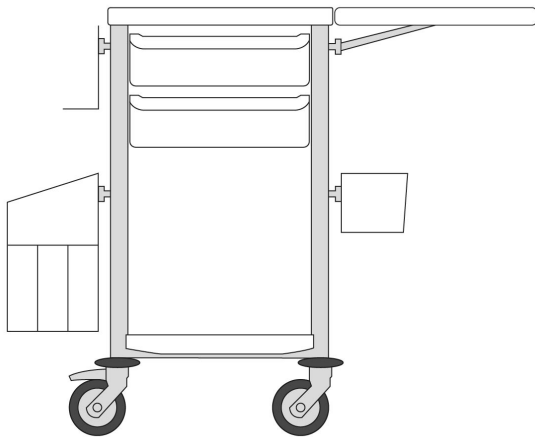


## Configuration n°29

400 x 400 trolleys equipped with:

- ▶ 1 top thermoplastic shelf
- ▶ 1 lower thermoplastic shelf
- ▶ 2 drawer H. 115 mm with runners
- ▶ 4 standard rails
- ▶ 1 foldable extension shelf

> Ref. AGIL4\_29

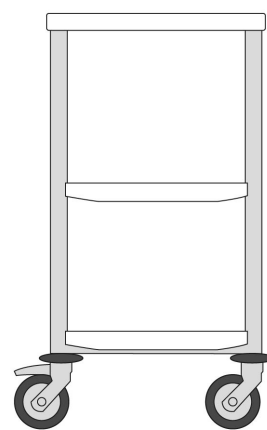


## Configuration n°32

400 x 400 trolleys equipped with:

- ▶ 1 top thermoplastic shelf
- ▶ 1 lower thermoplastic shelf
- ▶ 2 drawer H. 115 mm with runners
- ▶ 4 standard rails
- ▶ 1 foldable extension shelf
- ▶ 1 plastic tray
- ▶ 1 standard support for sharp container
- ▶ 1 double bag holder

> Ref. AGIL4\_32



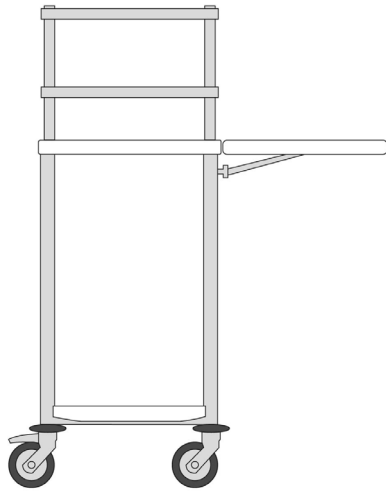
## Configuration n°02

400 x 400 trolleys equipped with:

- ▶ 1 top thermoplastic shelf
- ▶ 1 middle thermoplastic shelf
- ▶ 1 lower thermoplastic shelf

> Ref. AGIL4\_02

# Agily® 400 x 400 trolleys

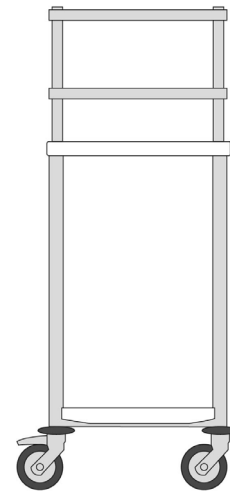


## Configuration n°10

400 x 400 trolleys equipped with:

- ▶ 1 top thermoplastic shelf
- ▶ 1 lower thermoplastic shelf
- ▶ 1 standard rail (top right)
- ▶ 1 foldable extension shelf
- ▶ 1 upper frame with 2 standard rails

> Ref. AGIL4\_10



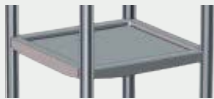


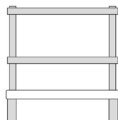
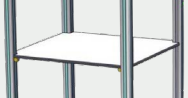




## Configuration n°20

400 x 400 trolleys equipped with:

- ▶ 1 top thermoplastic shelf
- ▶ 1 lower thermoplastic shelf
- ▶ 1 upper frame with 2 standard rails

> Ref. AGIL4\_20

## Options

Description	Picture	Reference	Description	Picture	Reference
<b>Thermoplastic middle shelf</b>		87303	<b>Tablet telescopic</b>		87305
<b>Thermoplastic lower shelf</b>		87304	<b>Upper frame with 2 standard aluminium rails</b>		87302
<b>Tablet intermediate in compact</b>		87309	<b>Pull-down extension tray (thermoplastic)</b>		87301
<b>4 hooks for standard rails</b>		28007N	<b>Handle</b>		87125
<b>Tray W. 400 x D. 400 x H. 75 (included end stops)</b>					8AS075_S
<b>Tray W. 400 x D. 400 x H. 115 (included end stops)</b>					8AS115_S
<b>Tray W. 400 x D. 400 x H. 195 (included end stops)</b>					8AS195_S