

Neop | Tubular work surfaces 400 depth with or without sink

Care preparation plan or administrative work plan

- Essential element for nursing room arrangement
- Excellent stain resistance: to liquids, fluids and chemicals
- Thermoformed resin sink: easy cleaning
- One-piece manufactured drip tray
- Covered backsplash for easy washing
- Lab edge for water retention



Robust



Hygienic



Ergonomic

- Work surface equipped with or without built-in sink
- Sink located on right or left side
- Fixed version or mobile version on wheels
- Resin or compact laminated work surface
- With or without backsplash version
- 2 or 3 possible Neop hanging storage units, with 60 or 80 cm height and 400 mm depth (please see corresponding data sheet)

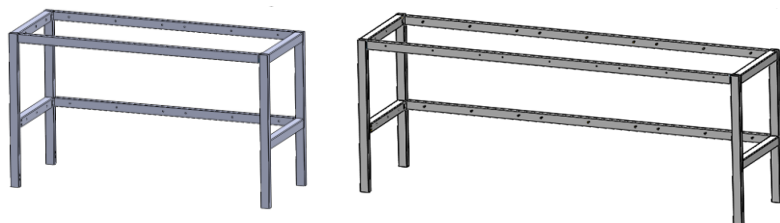


Tubular work surface selection

Selection of base, work surface and wheel kit for mobile version, or jack foot kit for fixed version

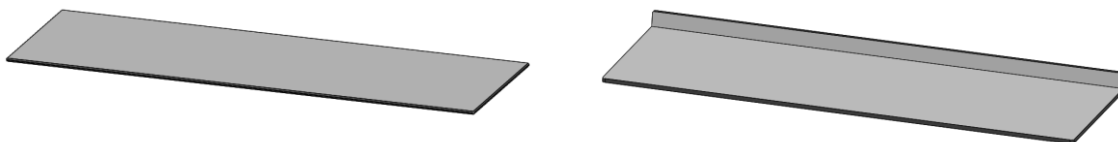
Base

| Base for 2 storage units | Base for 3 storage units |
|--------------------------|--------------------------|
| 8Y406 | 8Y407 |

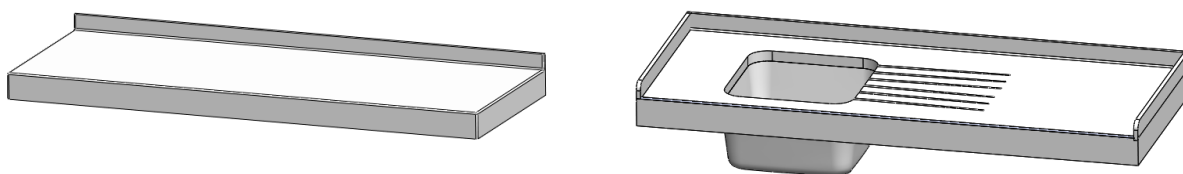


Work surface

| | | Work surface for 2 storage units | Work surface For 3 storage units |
|--------------------------|--------------------|----------------------------------|----------------------------------|
| Made of compact laminate | With backsplash | 8Y403 | 8Y405 |
| | Without backsplash | 8Y402 | 8Y404 |



| | | Work surface for 2 storage units | Work surface for 3 storage units |
|---------------|--|----------------------------------|----------------------------------|
| Made of resin | With backsplash | 8Y400 | 8Y401 |
| | With backsplash and sink on right side | 8Y400CD | 8Y401CD |
| | With backsplash and sink on left side | 8Y400CG | 8Y401CG |



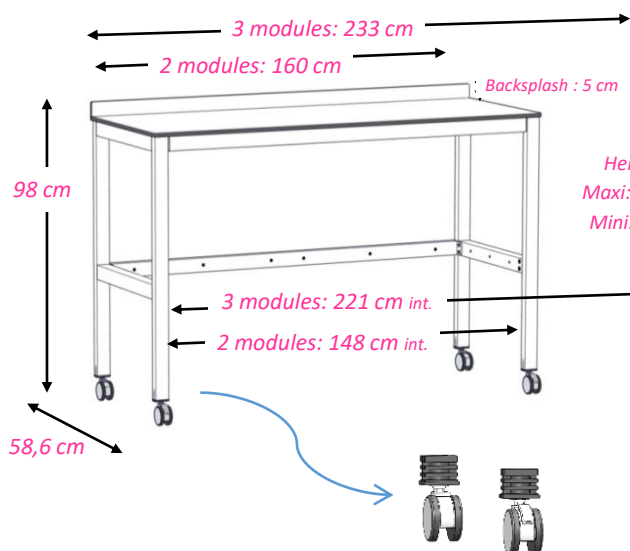
Wheel or jack foot kits

| | Work surface for 2 storage units | Work surface for 3 storage units |
|--|----------------------------------|----------------------------------|
| Wheel kit compatible with laminate work surfaces | 8Y400_R | 8Y400_R |
| Jack foot kit compatible with resin and laminate work surfaces | 8Y400_V | 8Y400_V |

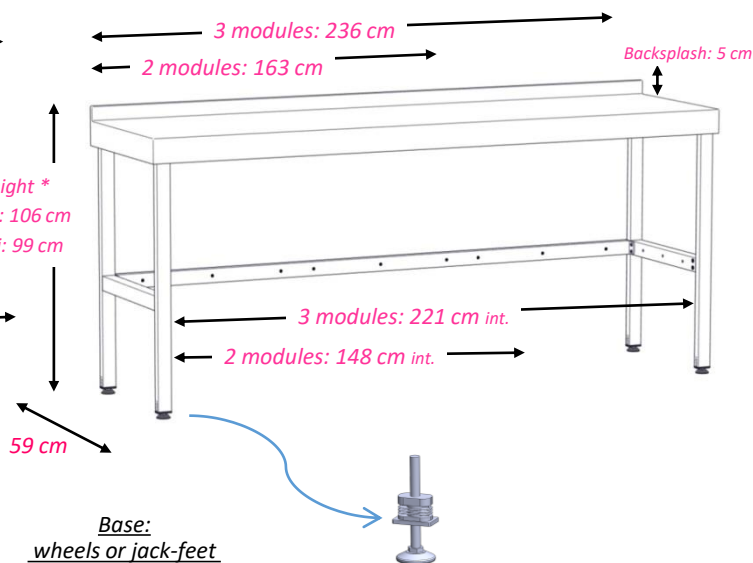


Technical data for work surface without sink

2-module work surface F600
made of compact laminate
with backslash and wheels



3-module work surface F600
made of acrylic resin
with backslash and jack feet



With one, two or three hanging units, mobile work surface movement must be limited.

* Usable height on work surface

Hanging units are not included:

Please refer to product data sheet "Neop hanging units H 60 and H 80" and their "hanging kit ref. 8Y546" and/or Refer to technical data sheet "Neop mobile units"

Materials

| | |
|---------------------|--|
| Structure | 50*30 mm rectangular tubular structure made of EPOXY anti-corrosion treated steel |
| Work surface | Compact laminate 10 mm thickness or acrylic resin 13 mm thickness, with or without backslash |
| Wheels | Double PolyAmide (PA) tread – Flexible PolyUREthane tape (PUR) steel ball bearings |
| Jack feet | PolyPropylene (PP) + galvanized steel |

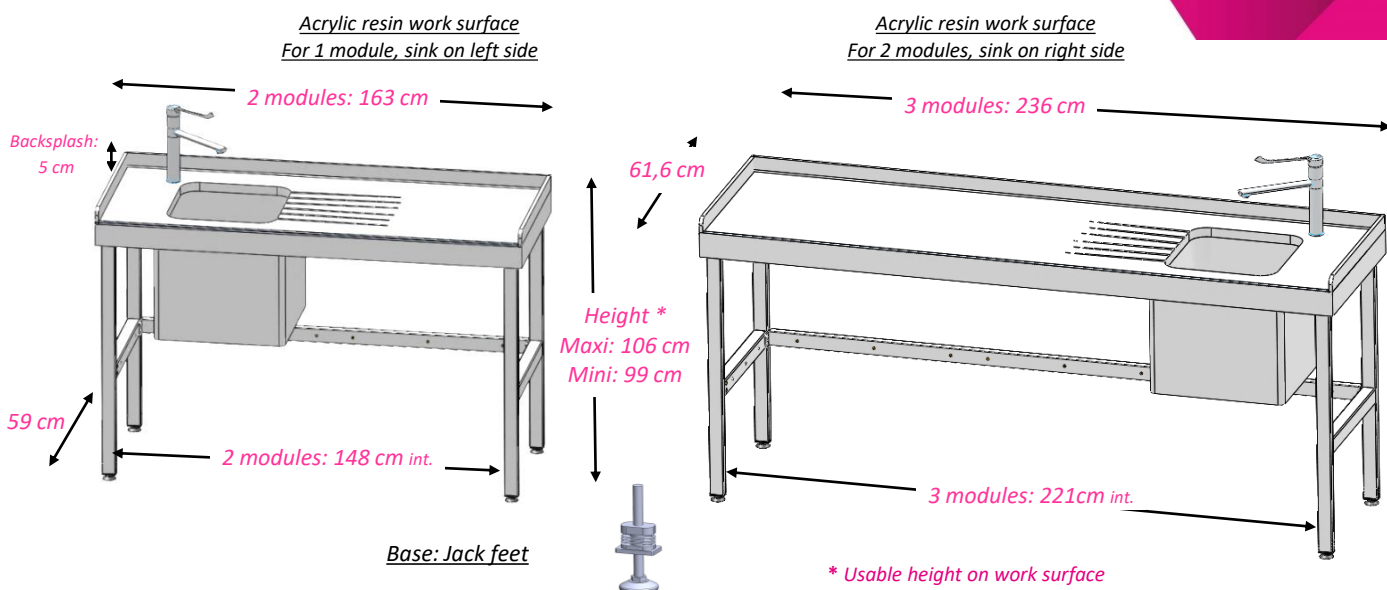
Additional information

| | |
|-------------------------|---|
| Wheels and feet | Wheels: 65 mm diameter – double running – 4 swivelling (2 breaking wheels) Jack-foot: M10x120 mm, adjustable up to 7 cm maximum |
| Empty weight | With compact laminate work surface: 43 kg (2 modules) and 51 kg (3 modules) With acrylic resin work surface: 65 kg (2 modules) and 85 kg (3 modules) |
| Loading capacity | 300 kg at total, for all models |

Packaging

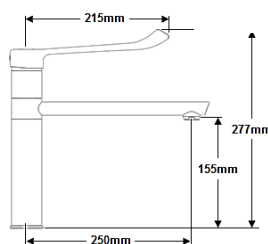
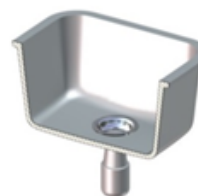
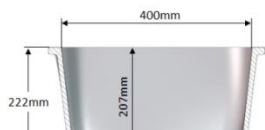
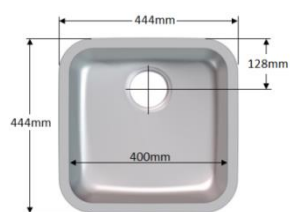
| | | | |
|--|---|---------------------------------|--|
| Packing | Individually on pallet strapped and film-wrapped, or on wheels with proper protection | Dimensions L X D x H | 2 modules: 220 x 90 x 110 cm 3 modules: 250 x 90 x 110 cm |
| Gross weight (work surface + packaging) | <u>Compact laminate work surface:</u> 2 modules: 53 kg 3 modules: 61 kg <u>Acrylic resin work surface:</u> 2 modules: 75 kg 3 modules: 95 kg | Volume | 2 modules: 2,2 m ³ 3 modules: 2,4 m ³ |

Technical data for work surface with sink



In option: left sink or right sink

Hanging units are not included : Please refer to technical data sheet "Neop hanging units" and "Neop mobile units"



Materials

| | |
|------------------------------|---|
| Structure | 50*30 mm rectangular tubular structure made of EPOXY anti-corrosion treated steel |
| Work station and sink | Acrylic resin 13 mm thickness, with chipboard panel thickness: 19 mm |
| Jack feet | Polypropylene (PP) + galvanized steel |

Additional information

| | |
|-------------------------|---|
| Work station | 3-side backsplash, drip tray. Lab edge, on front side for water retention H 8 mm Total height: 32 mm – Sink-cover, adjustable drain plug and pipe included |
| Feet | Jack feet: M10x120 mm, adjustable up to 7 cm maximum |
| Empty weight | With acrylic resin work surface: 68 kg (2 modules) and 87 kg (3 modules) |
| Mixer tap | Hospital model with swivel spout - Lgth: 250 mm |
| Loading capacity | 300 kg at total for all models |

Packaging: please refer to technical data sheet for work surface without sink

| | |
|-------------------|--------------------------------------|
| Net weight | 2 modules: 73 kg 3 modules: 92 kg |
|-------------------|--------------------------------------|