

▶ Nursing rooms

Layout and optimization



PRATICIMA
healthcare solutions

► Medicine dispensing and care specialist

PRATICIMA, as a **medicine dispensing specialist for more than 30 years**, provides its expertise and furniture for the layout of nursing rooms in health institutions.



Storage



Transport



Organisation in nursing rooms



Medicine dispensing

PRATICIMA is developing and manufacturing **furniture for preparation, storage, transport and medicine dispensing**, used from internal pharmacy to care units. All our trolleys and cabinets are compatible with all our drawers and pill dispensers.

► 100% personalized nursing rooms

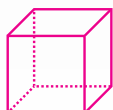
The nursing room is the main place for medicine and care preparation, and will be arranged according to your needs, work organisation, and in order to optimise room size.



Proposal of needed furniture to guarantee an optimal care process, in accordance with organisation and procedures in the institution, including Kanban system. Our OLGA offer provides solutions to optimise management process of pharmaceutical products and consumables



Materials and manufacturing methods chosen according to hygiene needs of institutions



A 3D view is done by our design office in order to help you visualizing your future nursing room

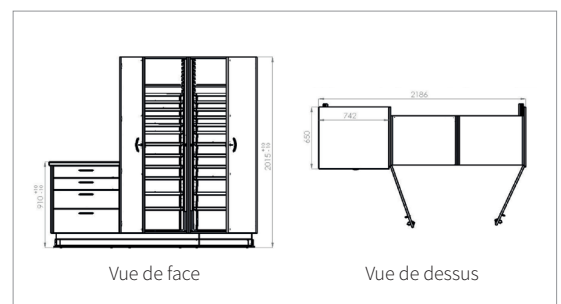
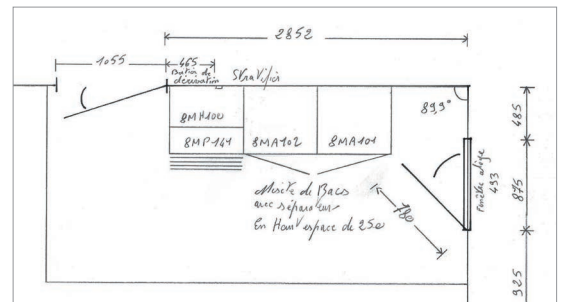
According to your needs and your process, our proposal for the layout of the nursing room may be with:

- Fixed furniture
- Mobile furniture
- Mix of fixed and mobile furniture



► From the audit of the current organisation to our turn-key proposal

- Audit
- Analyse of your work organisation and flows
- Coherence and functionality analysis
- Proposal of a concept: furniture and drawers
- 2D and 3D view
- Commercial offer



► Control of the whole chain, from the beginning to the end

PRATICIMA support customers with advice, manufacture, installation and integrated transport. Our drivers are reactive and flexible. The installation is done by PRATICIMA, which guarantees a precise and quality installation.



“ Each year, we supply more than 300 nursing rooms. ”



06/03/2024 - Non contractual photos

► References

Fondation Père FAVRON - EHPAD René Lanave - Réunion
EHPAD Les Madrépores - Les Anses d'Arlet - Martinique
Clinique Saint-Christophe - Marie Galante - Guadeloupe
Clinique Île Nou Mangin - Nouméa - New Caledonia
Polyclinique de Guadeloupe - Pointe-à-Pitre - Guadeloupe
Hôpital Romain BLONDET - Saint-Joseph - Martinique
Urgences Centre Hospitalier - Mamoudzou - Mayotte
Bateau Aranui - 5 Îles Marquises - Polynésie Française



PRATICIMA
healthcare solutions

Rue du Pou du Ciel
ZI de Reyrieux – CS20129 Reyrieux
01600 TRÉVOUX – FRANCE

Tel: +33 (0)4 74 00 98 11

Fax: +33 (0)4 74 00 98 36

E-mail: praticima@praticima.fr

www.praticima.fr

