

Patient file management IP mobile workstations

As part of the computerisation of nursing wards, PRATICIMA proposes you different models of mobile workstations for laptop, panel PC or screen with central unit.

Our stations are **ultra light, very handy**, and offer a real comfort of use. Retrospectively **configurable and modular**, they evolve according to needs of health professionals.

Non-contractual photo



Advantages

- ▶ Adjustable height of working surface by gas cylinder : sitting and standing position
- ▶ Standard rail adjustable over the entire height
- ▶ Many accessories available
- ▶ Smooth work surfaces without gaps for easy cleaning
- ▶ Resistant to hospital disinfection products



Ergonomic



Hygienic

Patient file management

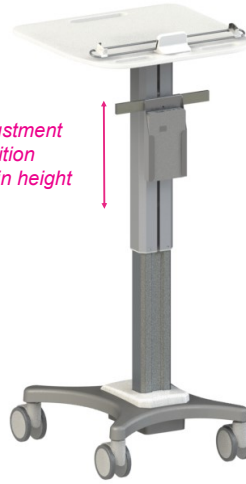
IP mobile workstations

Models



IP100

Possible adjustment
of the position
of the battery in height



IP101



IP200



IP201



IP202

Description

Reference

IP100 mobile workstation
with roll bar for laptop

8EIP100

IP101 mobile workstation
with roll bar for laptop + rail + battery holder + removable battery

8EIP101

IP200 mobile workstation
with Vesa support

8EIP200

IP201 mobile workstation
with holder for laptop

8EIP201

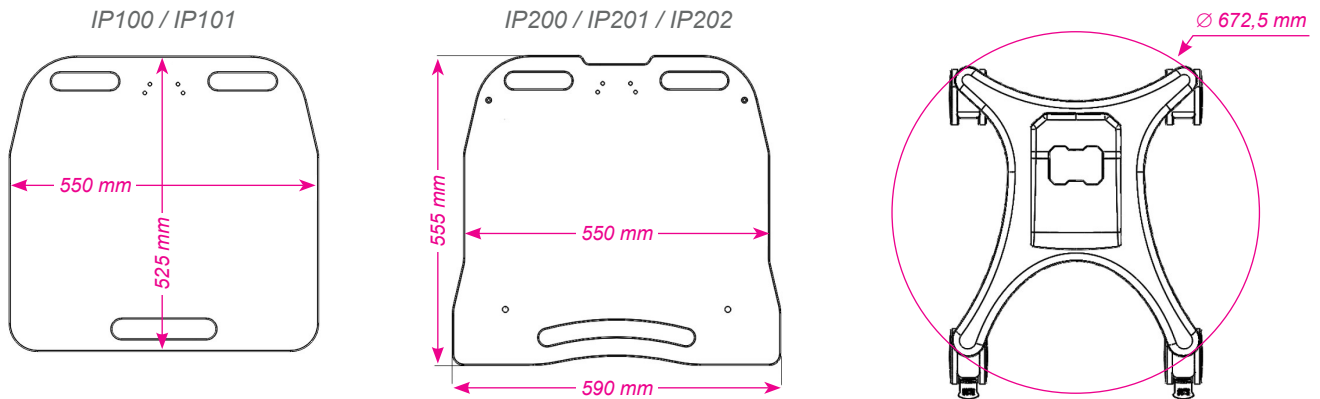
IP202 mobile workstation
with holder for laptop, keyboard drawer and second shelf

8EIP202

Patient file management

IP mobile workstations

Technical datas



Materials

Base	Structure Epoxy coated steel and aluminium
Work surface	IP100 / IP101: Polyethylene (PE) Starboard thickness. 12.7 mm IP200 / IP201 / IP202: PMMA satin blue translucent thickness. 8 mm
Wheels	Double non marking rubber wheels - Polyamide cover (PA)
Key board drawer	Support frame: RAL7040 steel / slide: zinc-plated steel / keyboard support: plastic
Computer support	Steel / plastic
Vesa support	Steel / aluminium / plastic
Roll bar	Steel / plastic

Additional Information

Base	Grey colour
Wheels	Ø 100 mm - double roller - 2 fixed + 2 swivelling - double locking of the wheel and the pivot
Gaz spring	Gas spring with locking positions, controlled by an ergonomic handle
Load capacity	6 to 12 kg depending on the setting
Empty weight	IP100: 14.8 kg IP200: 21 kg IP201: 19,5 kg IP202: 24,25 kg without second tablet
Overall dimensions	IP100 / IP101: L. 550 x D. 525 x H. 865-1265 mm IP200: L. 590 x D. 555 x H. 1098-1628 mm IP201 / IP202: L. 590 x D. 555 x H. 1025-1425 mm
Worktop height	Mini: 815 mm / Maxi: 1215 mm
Compatibility	IP100 / IP101 / IP201 / IP202: laptop with a maximum overall width of 430 mm IP200 : maximum 27-inch screen compatible with Vesa standard

Packaging

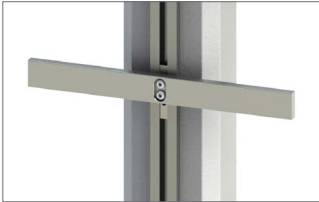
Packing	Individually on pallet strapped and film-wrapped, or on wheels, with proper protection
Dimensions	L. 620 x D. 600 x H. 920 mm

Patient file management

IP mobile workstations

Optional accessories

Standard rail and compatible accessories



Standard rail fixed on front or back of the column
Ref. 8E480



Large lateral basket
Ref. 28061N.GR



Small lateral basket
Ref. 28062N.GR



Storage bin
Ref. 28063N.GR



Battery holder
Ref. 2C000



3 compartment document holder
Ref. 28011N

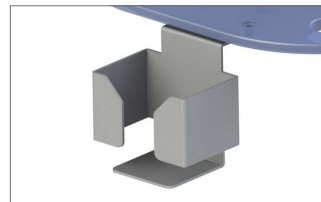
Other accessories



Barcode reader holder
Ref. 8E473



Mouse holder
Ref. 8E472



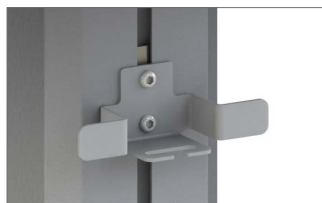
Antiseptic support
Ref. 8E478



UC support
Ref. 8E471



Horizontal power supply support
Ref. 8E475



Small cable hook
Ref. 8E479



Additional shelf
Ref. 8E482



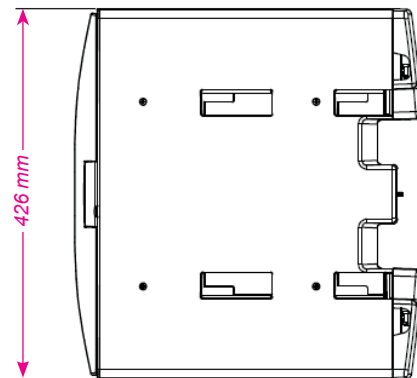
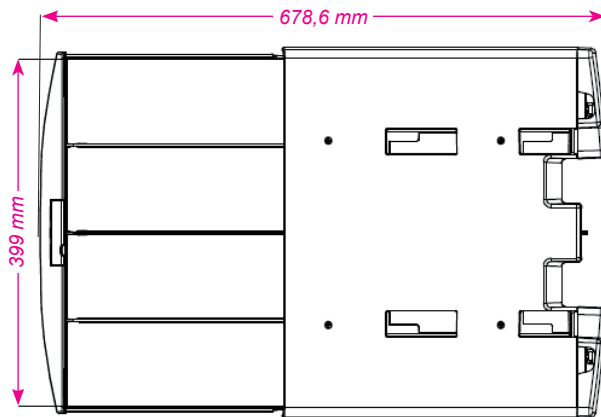
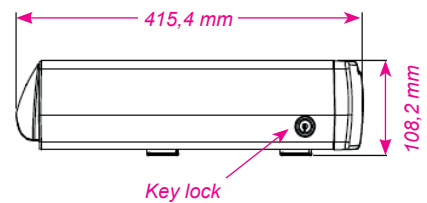
Keyboard drawer with right or left mouse holder
(incompatible with 8EIP100 workstation)
Ref. 8E483

Patient file management

IP mobile workstations

Drawer unit - Ref. 8E486

- ▶ Material: steel / aluminum alloy / plastic
- ▶ Weight: 3,7 kg
- ▶ External dimensions: 426 x 108,2 x 415,4 mm
- ▶ Interior dimensions: 399 x 70 x 298 mm
- ▶ Security: key lock
- ▶ Load capacity: 2 kg



Removable battery - Ref. 8E485

- ▶ Type: Lithium Polymer
- ▶ Dimensions: 194 x 120 x 21 mm
- ▶ Color: silver gray
- ▶ Signalling: blue LEDs
- ▶ Autonomy: 7 hours
- ▶ INPUT power supply: 19 V / 1,2 A
- ▶ OUTPUT power supply:
 - DC 12V / 2,5 A
 - DC 16 V / 4 A
 - DC 19 V / 4 A
- ▶ Capacity: 30 000 mAh

