

Neop | 400 x 400 emergency trolleys with telescopic drawers

Material and products immediately available for first aid

- Robustness : excellent resistance , one piece structure made of aluminium
- 100 h ygiene : designed with a minimum of retention zones, and resistant to disinfecting products of hospital environment
- Customization thanks to a wide range of drawers and accessories
- Ward name identification
- Ergonomic and handy : designed for medical staff comfort
- Unique design and harmonious colours



Robust



Hygienic



Ergonomic



Customizable

Colour

Garance red

- Height 100 cm
- Ergonomic gripping area
- Door wing lock with 1 batch of 20 seals . Access to the content of the trolley breaking the seal by simple twist. After each use, the trolley is reequipped , then closed by a single use numbered seal .
- Drawers with full extension slides , with shock absorber and end stops, with perforated trays
- 5 drawer or 6 drawer version
- Frame for ISO trays adapted to most existing ISO trays
- Removable ISO tray for easy cleaning
- Cardiac massage board on support

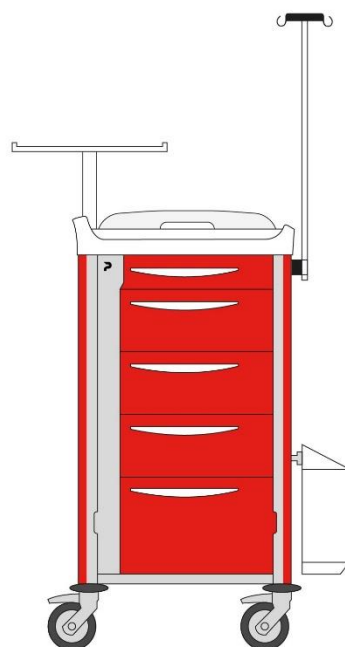


Standard configuration -PREMIUM

EMERGENCY TROLLEY EQUIPPED WITH 5 telescopic drawers with compartmentalization

Treatment trolley 400 x 400 H100 equipped with:

- 1 hinged closure with seal securing
- 1 batch of 20 seals
- 1 telescopic drawer F400 H80 with full lip tray H50 equipped with a compartmentalization kit 16 boxes
- 3 telescopic drawers F400 H160 with openwork lip tray H100 equipped with a compartmentalization kit 9 boxes
- 1 telescopic drawer F400 H240 with openwork lip tray H100
- 1 support for cardiac massage board
- 1 cardiac massage board
- 1 monitoring support
- 1 IV pole with 2 hooks
- 1 lateral standard rail bottom right
- 1 oxygen tank holder

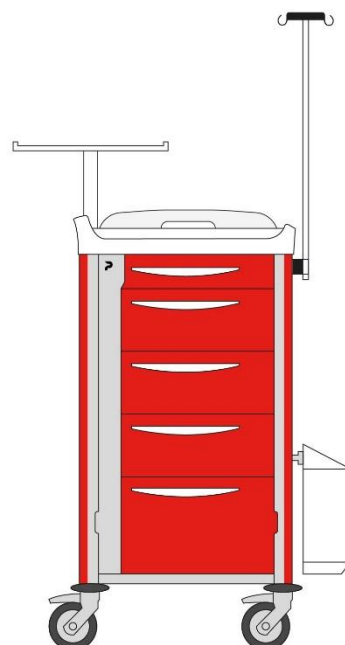


Reference	Description
8Y144H100T.U2P	Emergency trolley NEOP equipped 400x400 H100 - 5 telescopic drawers with compartmentalization

EMERGENCY TROLLEY EQUIPPED WITH 5 telescopic drawers

Treatment trolley 400 x 400 H100 equipped with:

- 1 hinged closure with seal securing
- 1 batch of 20 seals
- 1 telescopic drawer F400 H80 with full lip tray H50
- 3 telescopic drawers F400 H160 with openwork lip tray H100
- 1 telescopic drawer F400 H240 with openwork lip tray H100
- 1 support for cardiac massage board
- 1 cardiac massage board
- 1 monitoring support
- 1 IV pole with 2 hooks
- 1 lateral standard rail bottom right
- 1 oxygen tank holder



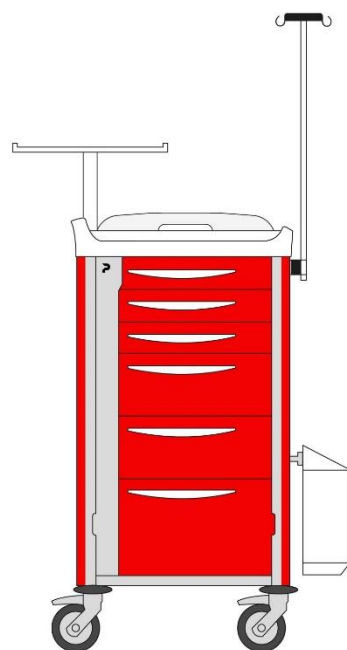
Reference	Description
8Y144H100T.U2	Emergency trolley NEOP equipped 400x400 H100 - 5 telescopic drawers

Telescopic drawers fitted with lip trays can be divided with partitioning kits or combs, to be ordered separately.

EMERGENCY TROLLEY EQUIPPED WITH 6 telescopic drawers

Treatment trolley 400 x 400 H100 equipped with:

- 1 hinged closure with seal securing
- 1 batch of 20 seals
- 3 telescopic drawers F400 H80 with full lip tray H50
- 2 telescopic drawers F400 H160 with openwork lip tray H100
- 1 telescopic drawer F400 H240 with openwork lip tray H100
- 1 support for cardiac massage board
- 1 cardiac massage board
- 1 monitoring support
- 1 IV pole with 2 hooks
- 1 lateral standard rail bottom right
- 1 oxygen tank holder



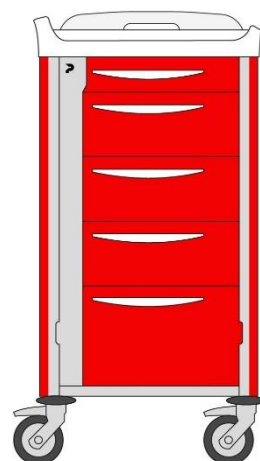
Reference	Description
8Y144H100T.U4	Emergency trolley NEOP equipped 400x400 H100 - 6 telescopic drawers

Telescopic drawers fitted with lip trays can be divided with partitioning kits or combs, to be ordered separately.

BASIC EMERGENCY TROLLEY EQUIPPED WITH 5 telescopic drawers

Treatment trolley 400 x 400 H100 equipped with:

- 1 hinged closure with seal securing
- 1 batch of 20 seals
- 1 telescopic drawer F400 H80 with full lip tray H50
- 3 telescopic drawers F400 H160 with openwork lip tray H100
- 1 telescopic drawer F400 H240 with openwork lip tray H100
- 1 support for cardiac massage board
- 1 cardiac massage board



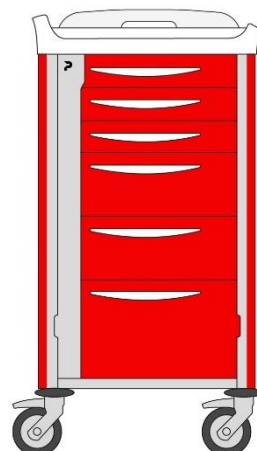
Reference	Description
8Y144H100T.U1	Basic emergency trolley NEOP 400x400 H100 - 5 telescopic drawers

Telescopic drawers fitted with lip trays can be divided with partitioning kits or combs, to be ordered separately.

BASIC EMERGENCY TROLLEY EQUIPPED WITH 6 telescopic drawers

Treatment trolley 400 x 400 H100 equipped with:

- 1 hinged closure with seal securing
- 1 batch of 20 seals
- 3 telescopic drawers F400 H80 with full lip tray H50
- 2 telescopic drawers F400 H160 with openwork lip tray H100
- 1 telescopic drawer F400 H240 with openwork lip tray H100
- 1 support for cardiac massage board
- 1 cardiac massage board



Reference	Description
8Y144H100T.U3	Basic emergency trolley NEOP 400x400 H100 - 6 telescopic drawers

Telescopic drawers fitted with lip trays can be divided with partitioning kits or combs, to be ordered separately.

Technical data

Overall dimensions of the trolley

H. 1115 mm



The overall dimensions are measured with the wheels in the least bulky position.

Useful dimensions of the worktop

L. 443 mm

D. 495 mm



Tablette supérieure en plastique thermoformé avec zone de préhension ergonomique

Worktopheight

H. 1057 mm

Materials

Structure	Complete welded and EPOXY anti-corrosion treated one-piece structure
Work surface	ABS / PMMA thermoplastic
Strip of colour	70 micron calendered PVC vinyl film with acrylic adhesive
Slides	Ballbearing slides made of galvanized steel with shock absorber
Closing system	Door wing: Aluminium with EPOXY painting
Wheels	Simple non marking rubber wheels -Polyamide cover (PA)
Bumpers	4 non marking round stop blocks made of EVA (Ethylene Vinyl Acetate)

Additional information

Wheels	125 mm diameter – 2 breaking wheels + 2 swivelling wheels - wheel and wheel-pin double	
Empty weight	33 kg	
Capacity	U1 / U2 : - 1 drawer H 80 mm - 3 drawers H 160 mm - 1 drawer H 240 mm en compact	U3 / U4 : - 3 drawers H 80 mm - 2 drawers H 160 mm - 1 drawer H 240 mm en compact
Locking system	Seals	
Colors	70 micron calendered polymeric PVC film coated with acrylic adhesive	
Equipment	Bare model (U1/U3) : Cardiac massage board	Model (U2/U4) with equipments: Cardiac massage board/oxygen tank holder / IV pole / monitoring support

Packaging

Packing	Individually on pallet strapped and film-wrapped, or on wheels, with proper protection	Dimensions L X P x H	L 0,80 x P 1,20 x H 1,45 m
Gross Weight (trolley + packaging)	50 kg	Volume	1,15 m ³